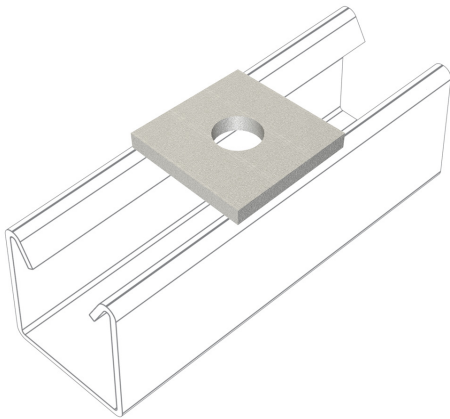


PRODUCT CODE: MP1-12
CHANNEL BRACKET



DESCRIPTION

Square Plate Washer

FINISH

Hot Dipped Galvanised

MATERIAL

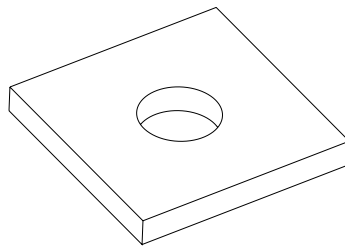
Steel

PACKAGING

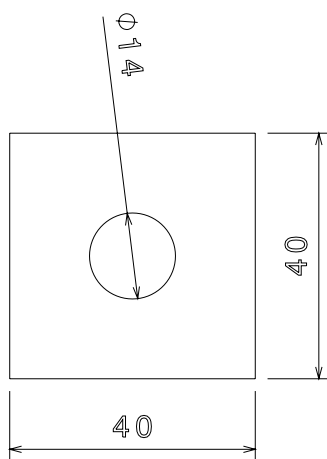
Packed in qty 100

ADDITIONAL NOTES

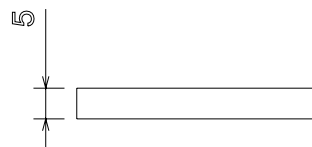
Compliant to LU Standard 1-085 (for use on surface & sub-surface locations)



Isometric view



Front view



Side view